



# BEACONS



## 5800 SERIES SAE Class I Rotator

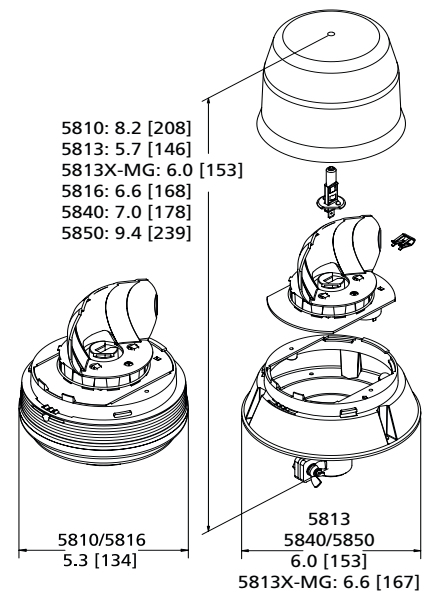
Available in a wide range of base mountings and two height profiles, these rotating beacons produce SAE Class I light output. The 5800 series incorporates a smooth and quiet belt drive module with stainless steel bearings that provides long life and reliable service. Reflectors incorporate a free-form optical design that maximizes light output and beam spread.

### Models

| PART NO. | VOLTAGE | AMPS | FPM | MOUNT    |
|----------|---------|------|-----|----------|
| 5810A    | 12      | 4.9  | 195 | DIN Pole |
| 5813A    | 12      | 4.9  | 195 | 3 Bolt   |
| 5813A-MG | 12      | 4.9  | 195 | Magnet   |
| 5816A    | 12      | 4.9  | 195 | 1 Bolt   |

### Features and Benefits

- Economical style beacon available in several mounting styles
- DIN models designed to fit DIN #72591
- Flexi-Base model rubber base resists vibration & protects against minor impacts
- Twist-on lens secures with a locking screw
- 55-watt halogen bulb
- Temperature Range: -22°F to +122°F (-30°C to +50°C)
- Warranty: Rotator = 1 year / Bulb = 3 month



### Parts & Accessories

- Bulb: R5812BH
- Lens: Amber - R5810LA
- High Profile Lens: Amber - R5840CA